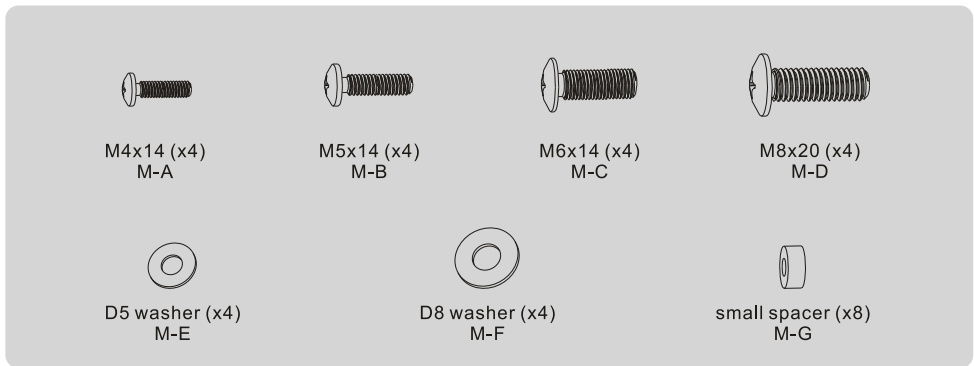
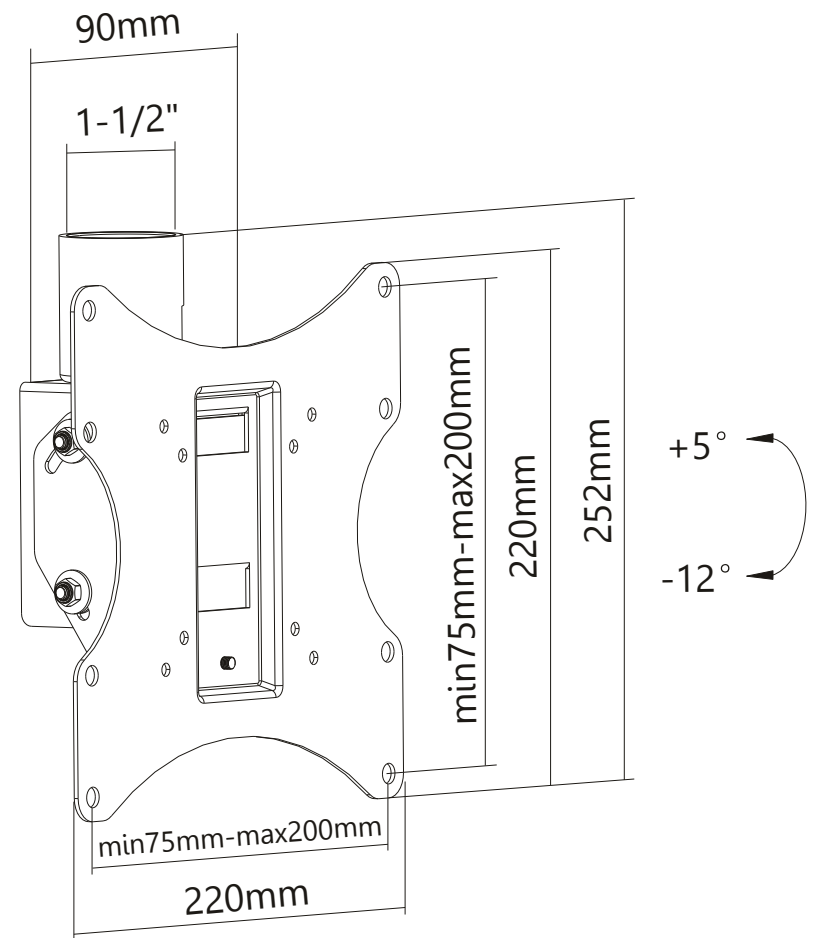
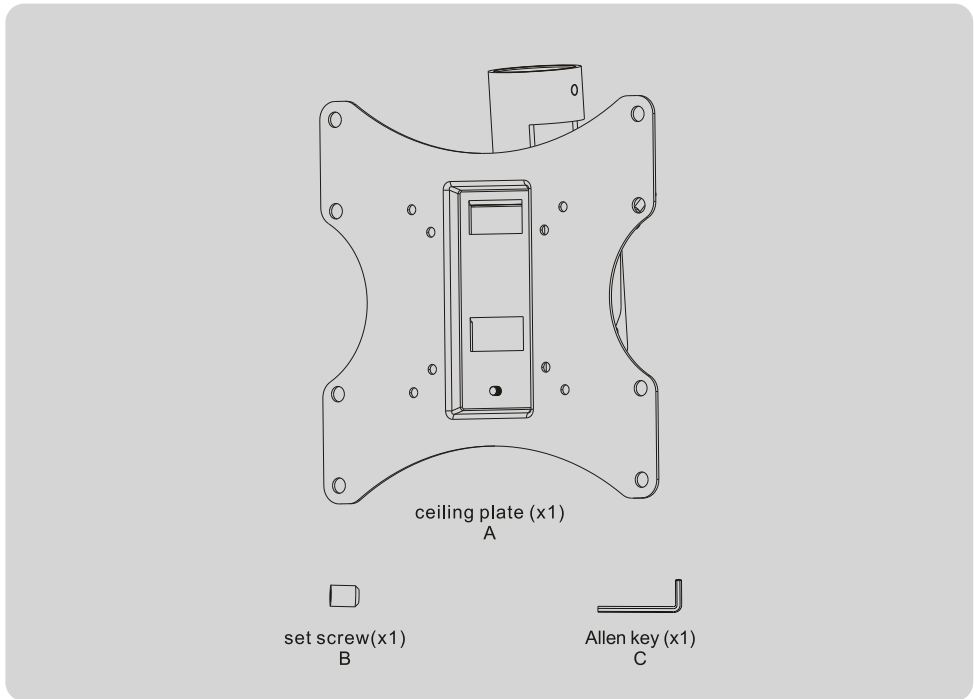


NOTE: ALL MATERIAL COMPLIANT ROHS STANDARD

REVISION INFORMATION			
Rev.	Rev. Date	Modified By	Brief Description



LANshack
Sales@LANshack.com | 888-568-1230

NO.	PART NAME	SPECIFICATION DESCRIPTION	QT'Y	UNIT
③				
②				
①				

Unless specified on the drawing, tolerances are per the follows:
 . +1
 .x +0.2
 .xx +0.05

DRAWN BY	DATE: 2021/2/18	DESCRIPTION: Flat Panel Ceiling Mount Accessory	
CHECKED BY	SHEET 1 of 1	ITEM NO. NPT-CM-TVM-23-42	
APPROVED BY	SCALE 1:1	REV. 00	UNIT: mm

